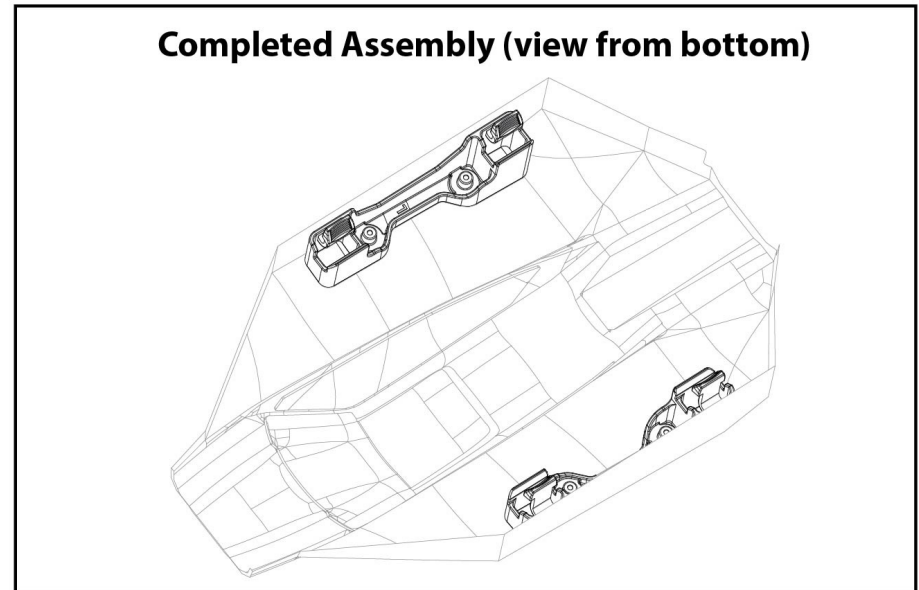
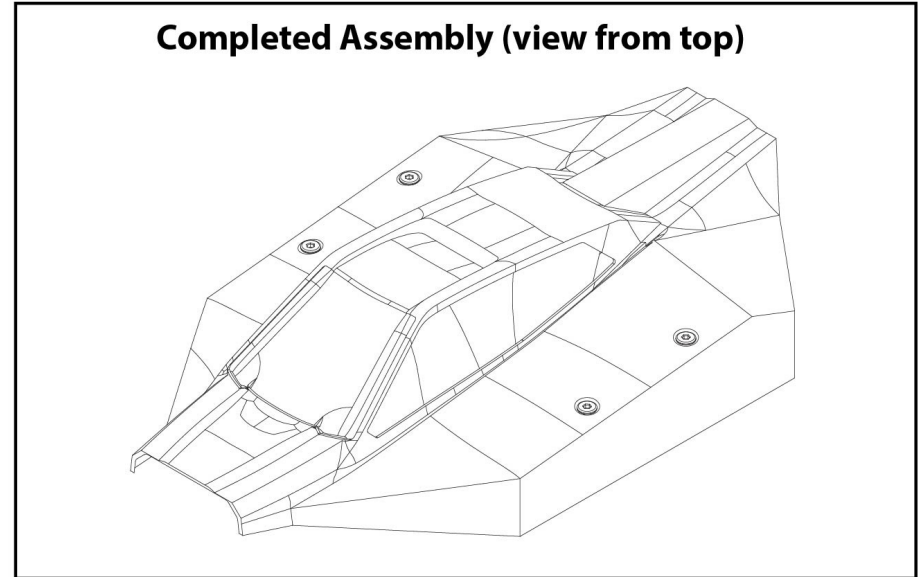
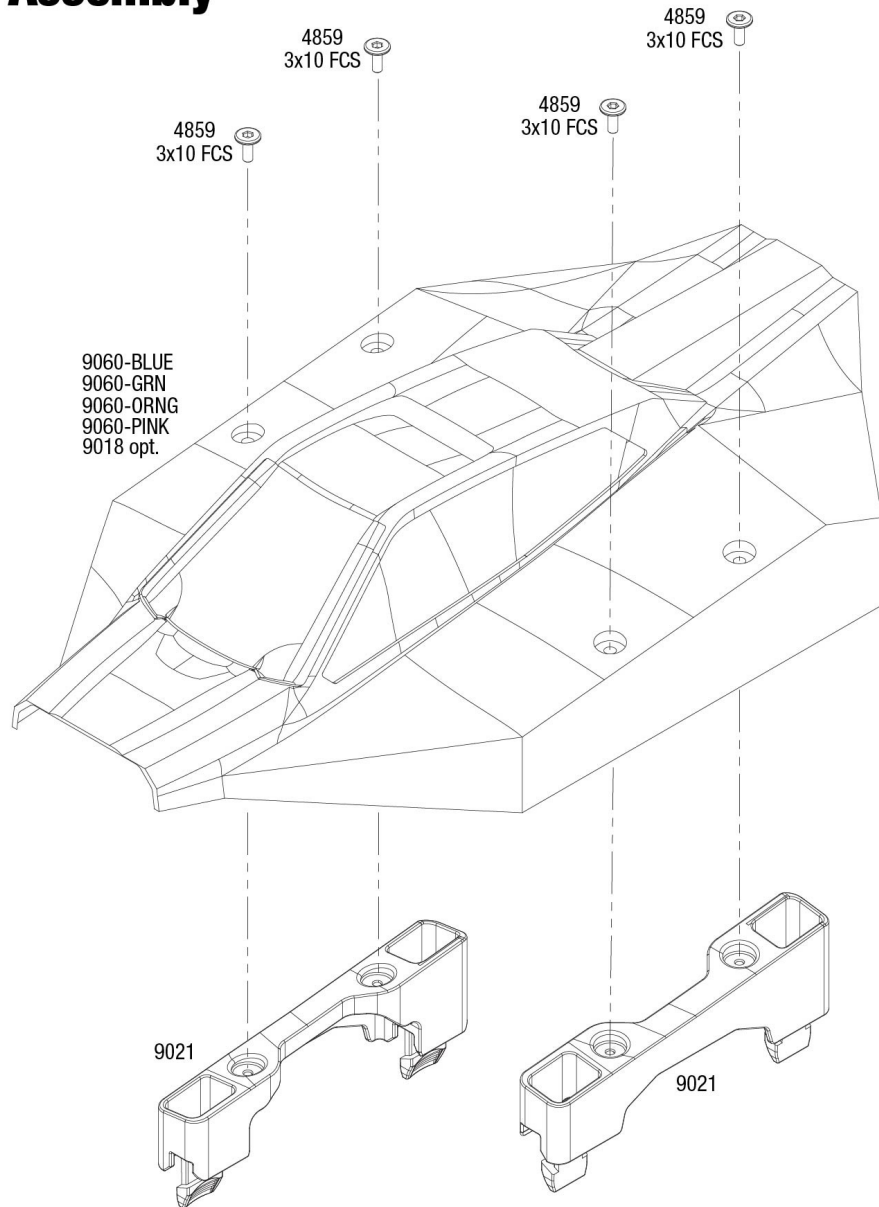


Body Assembly

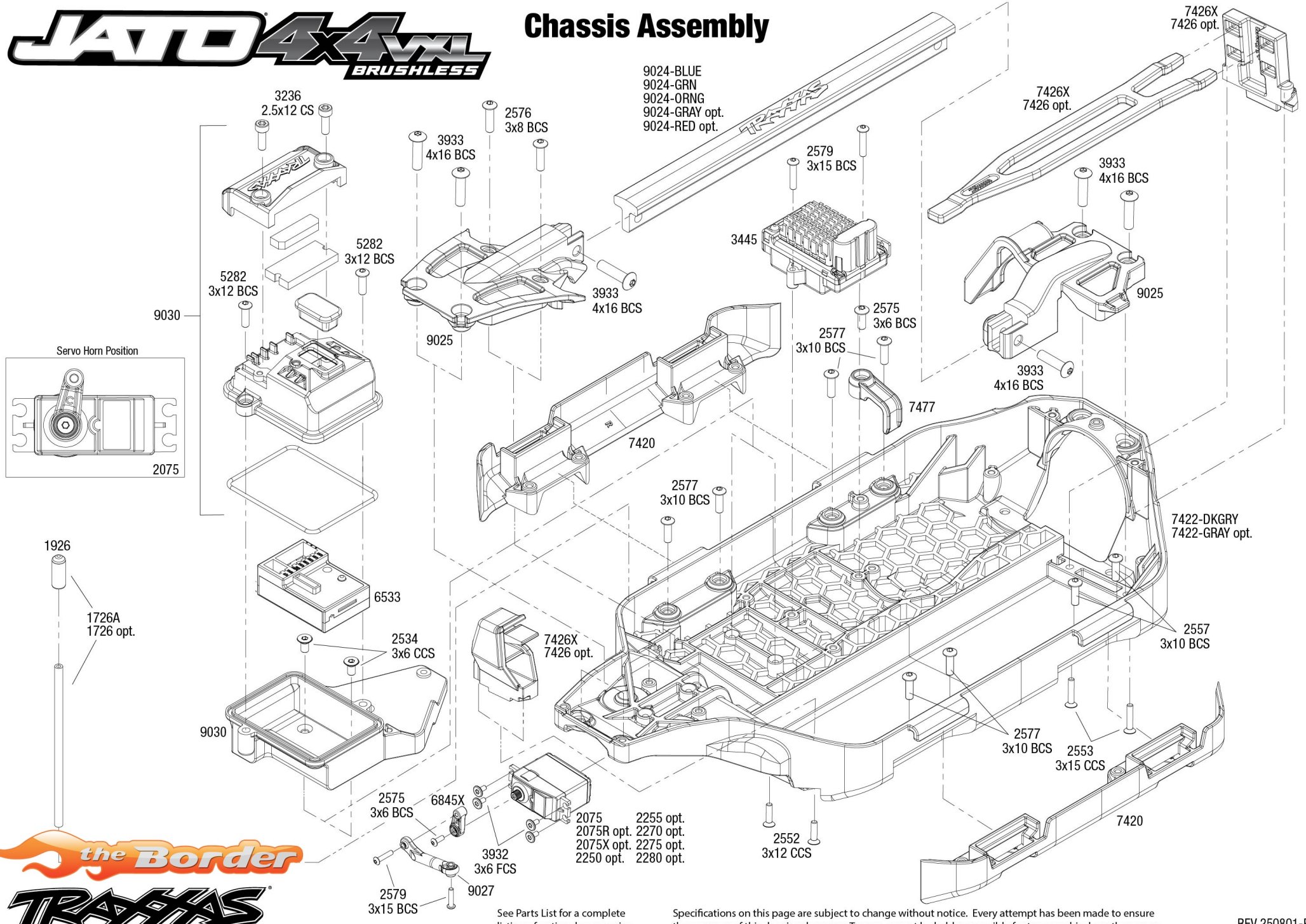


REV 250801-R05

See Parts List for a complete listing of optional accessories.

Specifications on this page are subject to change without notice. Every attempt has been made to ensure the accuracy of this drawing; however, Traxxas cannot be held responsible for typographical or other errors.

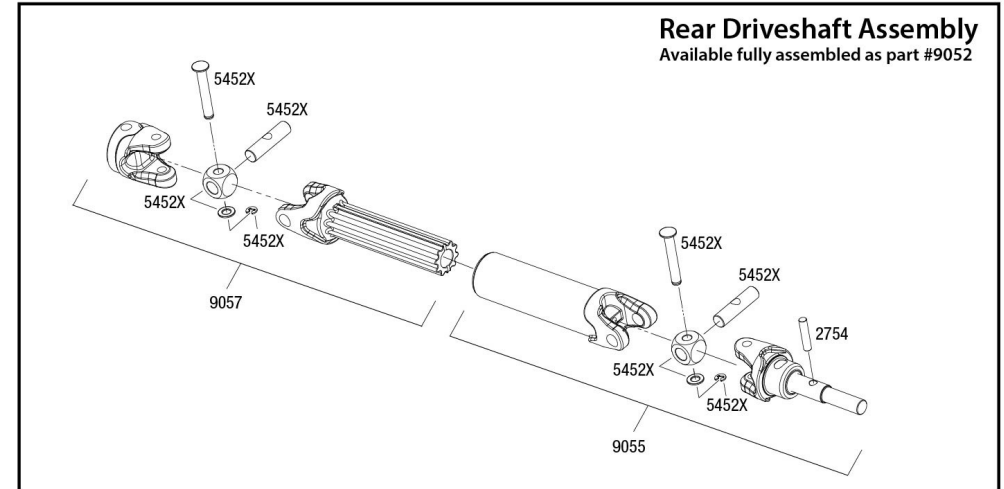
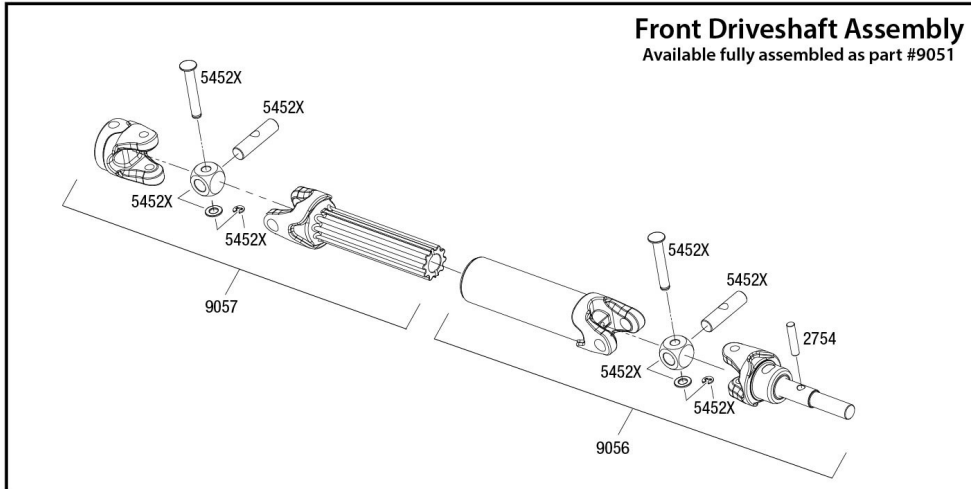
Chassis Assembly



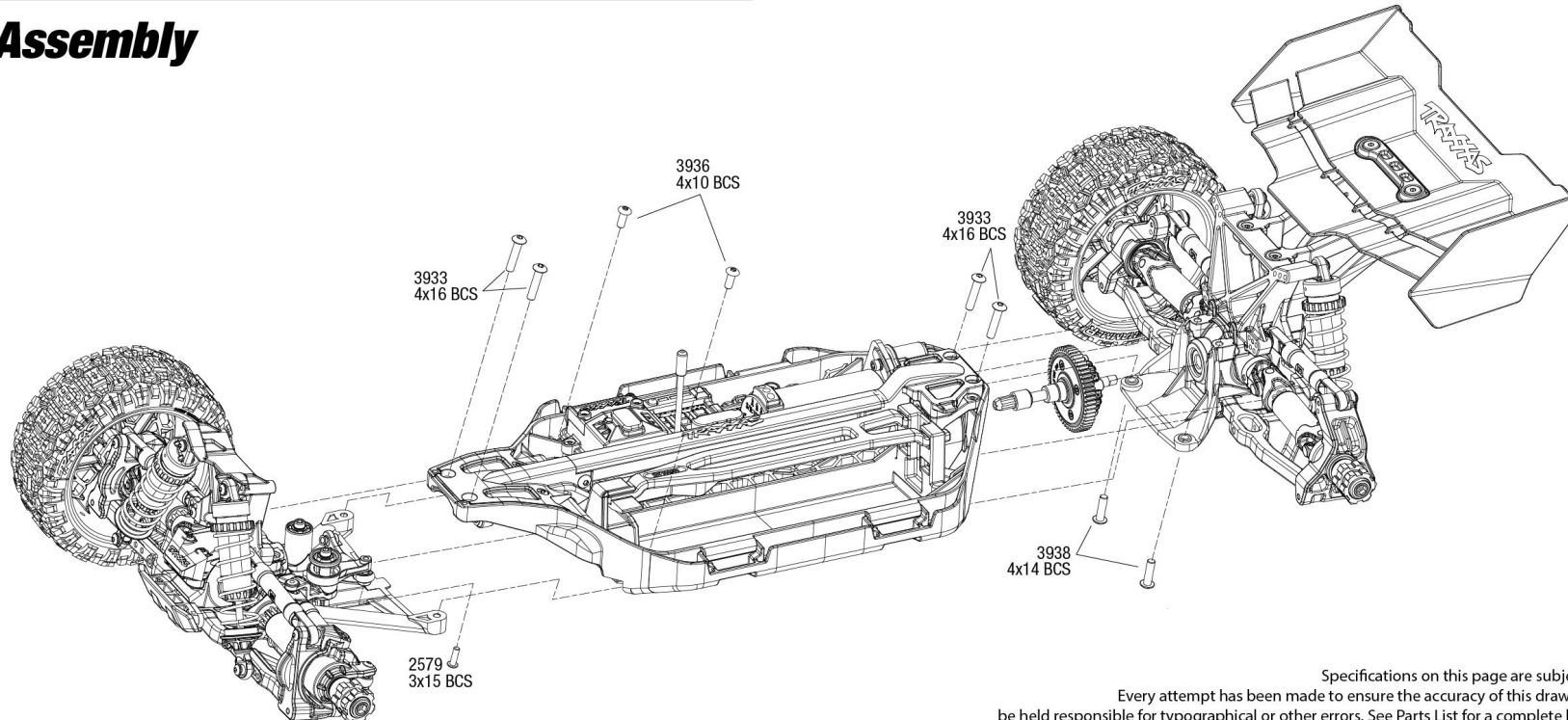
See Parts List for a complete listing of optional accessories.

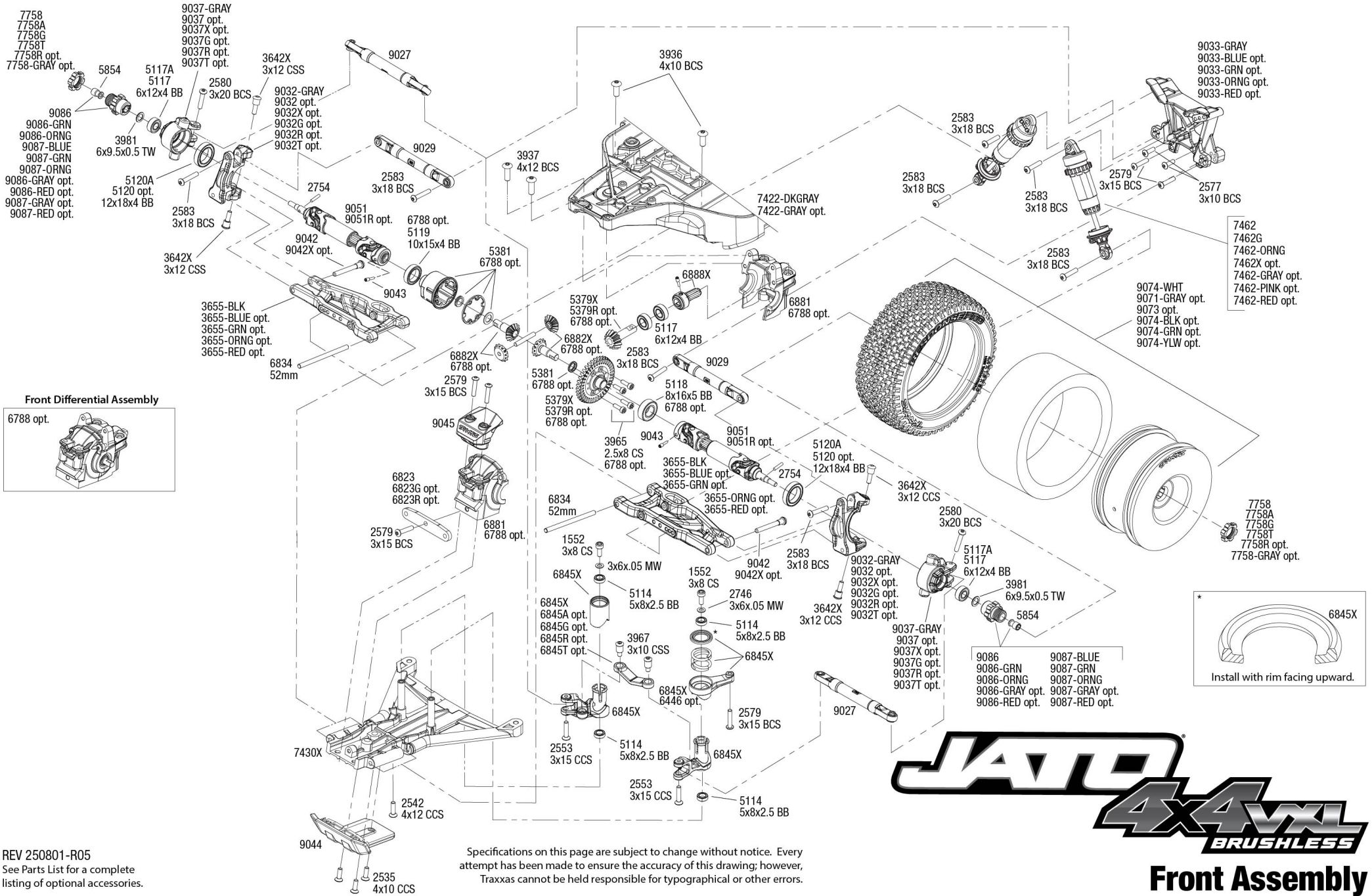
Specifications on this page are subject to change without notice. Every attempt has been made to ensure the accuracy of this drawing; however, Traxxas cannot be held responsible for typographical or other errors.

Driveshafts



Modular Assembly



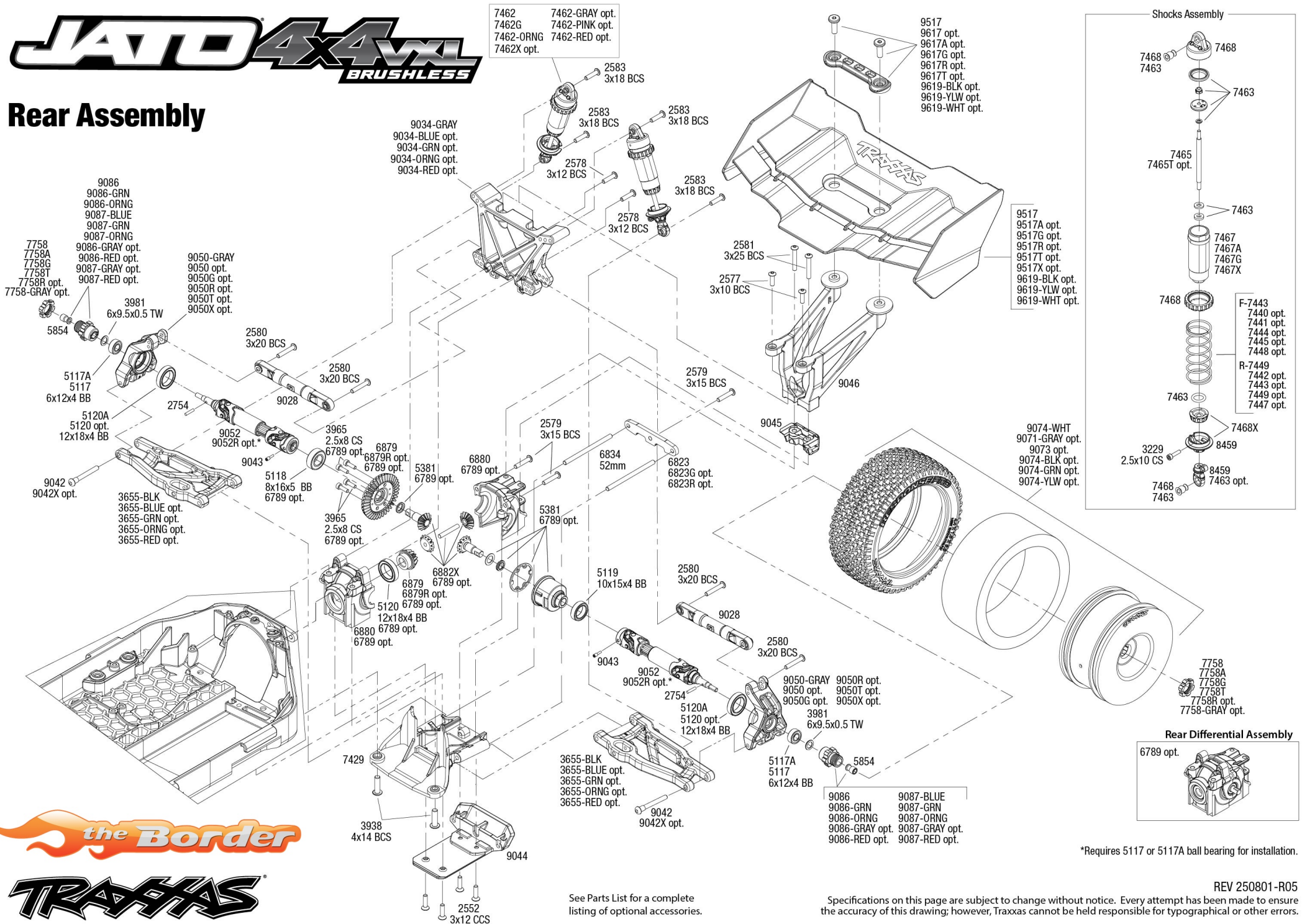


REV 250801-R05
See Parts List for a complete listing of optional accessories.

Specifications on this page are subject to change without notice. Every attempt has been made to ensure the accuracy of this drawing; however, Traxxas cannot be held responsible for typographical or other errors.

Front Assembly

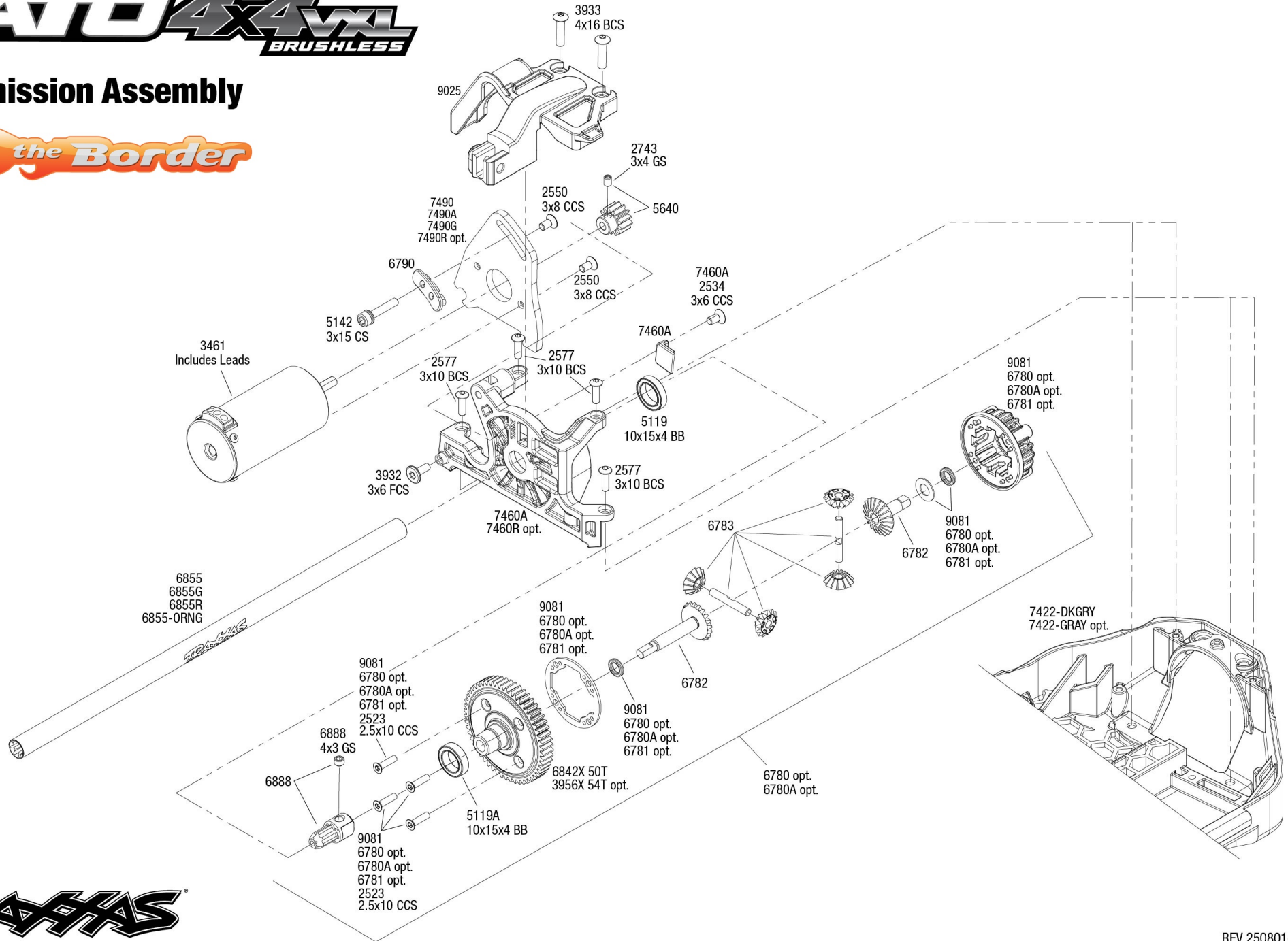
Rear Assembly



*Requires 5117 or 5117A ball bearing for installation.

JATO 4x4XL BRUSHLESS

Transmission Assembly



See Parts List for a complete listing of optional accessories.

REV 250801-R05
Specifications on this page are subject to change without notice. Every attempt has been made to ensure the accuracy of this drawing; however, Traxxas cannot be held responsible for typographical or other errors.