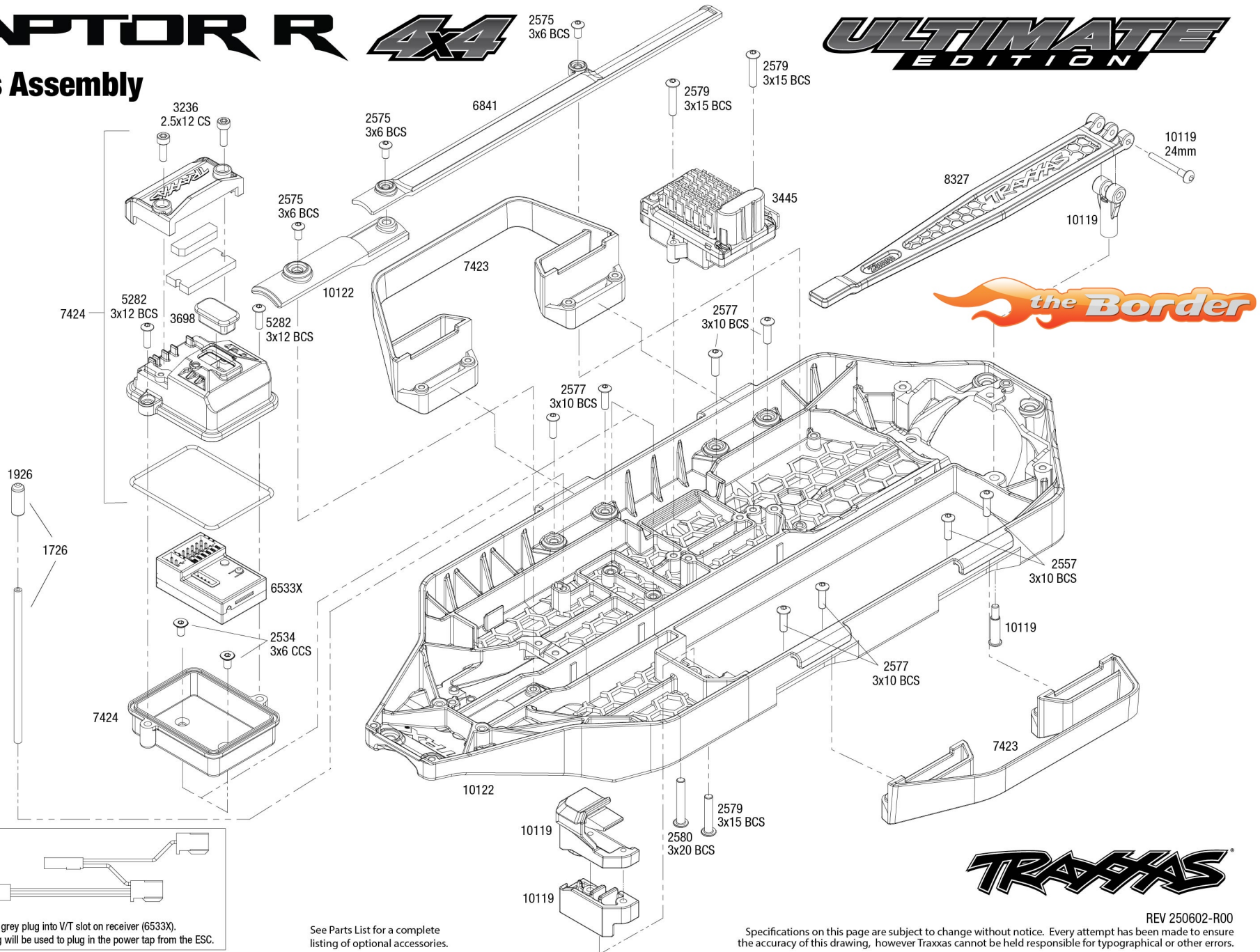


RAPTOR R

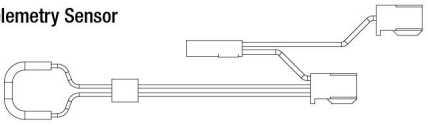
Chassis Assembly

4x4

ULTIMATE EDITION



Telemetry Sensor



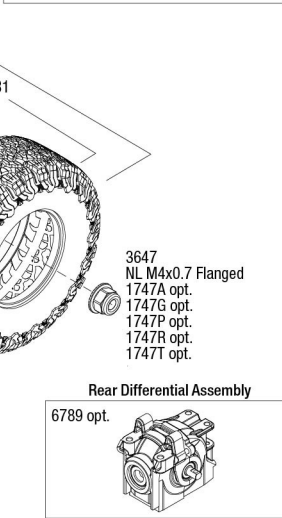
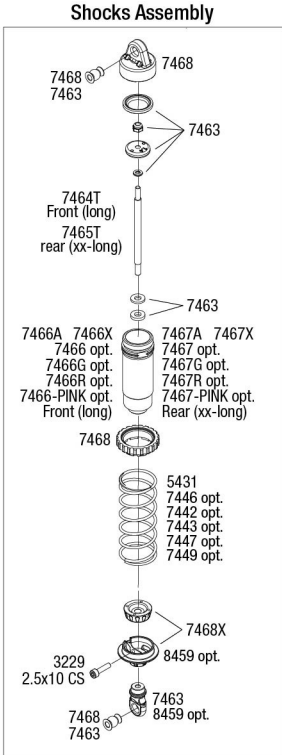
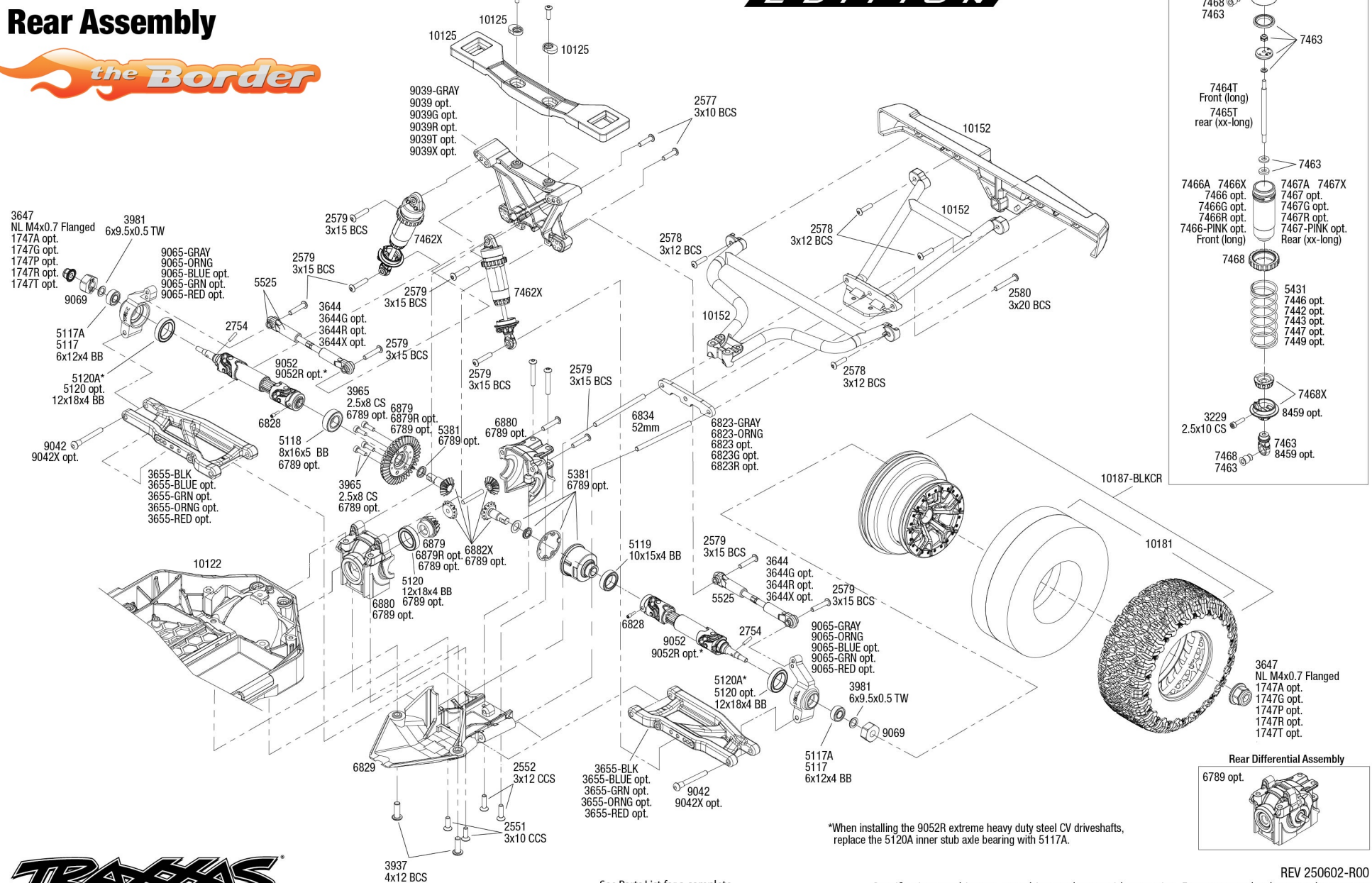
6521- Plug grey plug into V/T slot on receiver (6533X).
 Note that the red plug will be used to plug in the power tap from the ESC.

See Parts List for a complete listing of optional accessories.

REV 250602-R00
 Specifications on this page are subject to change without notice. Every attempt has been made to ensure the accuracy of this drawing, however Traxxas cannot be held responsible for typographical or other errors.

RAPTOR R 4x4 ULTIMATE EDITION

Rear Assembly



*When installing the 9052R extreme heavy duty steel CV driveshafts, replace the 5120A inner stub axle bearing with 5117A.



See Parts List for a complete listing of optional accessories.

Specifications on this page are subject to change without notice. Every attempt has been made to ensure the accuracy of this drawing, however Traxxas cannot be held responsible for typographical or other errors.

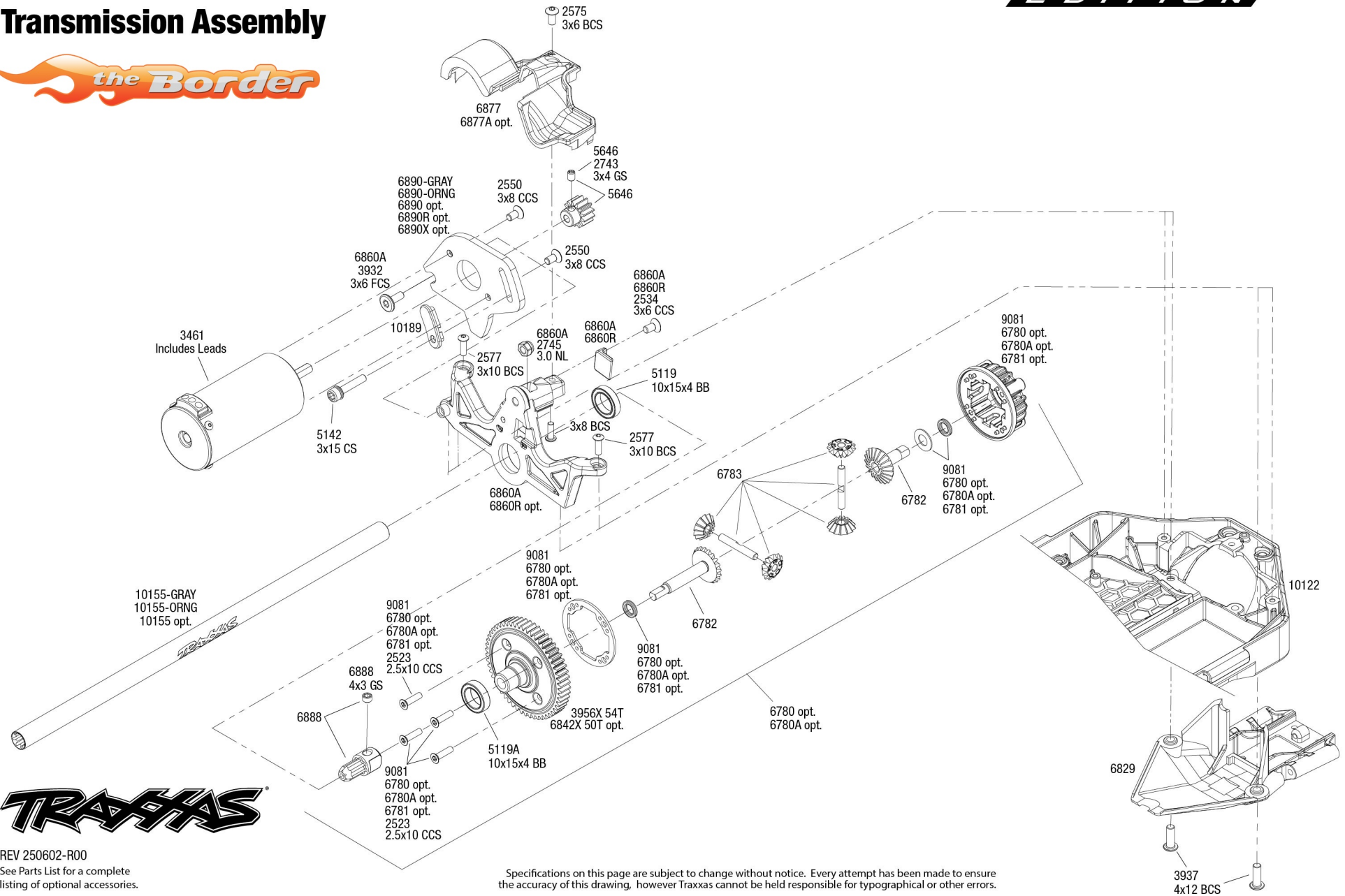
REV 250602-R00

RAPTOR R 4x4

Transmission Assembly



ULTIMATE EDITION



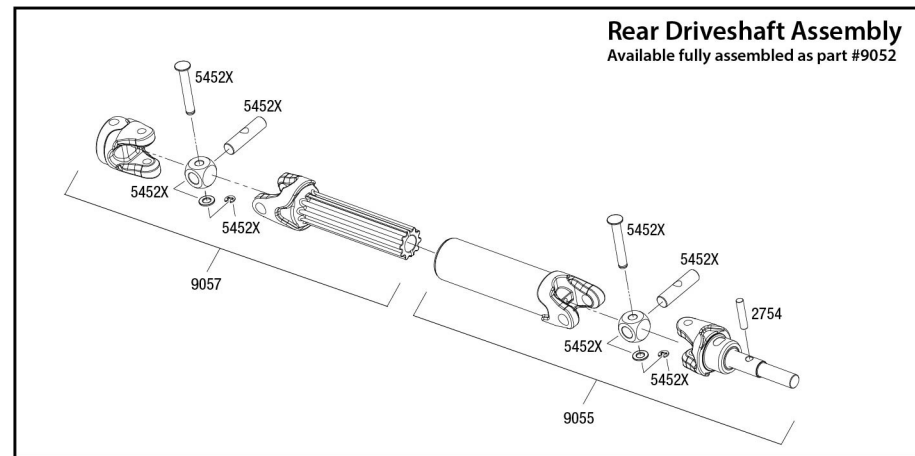
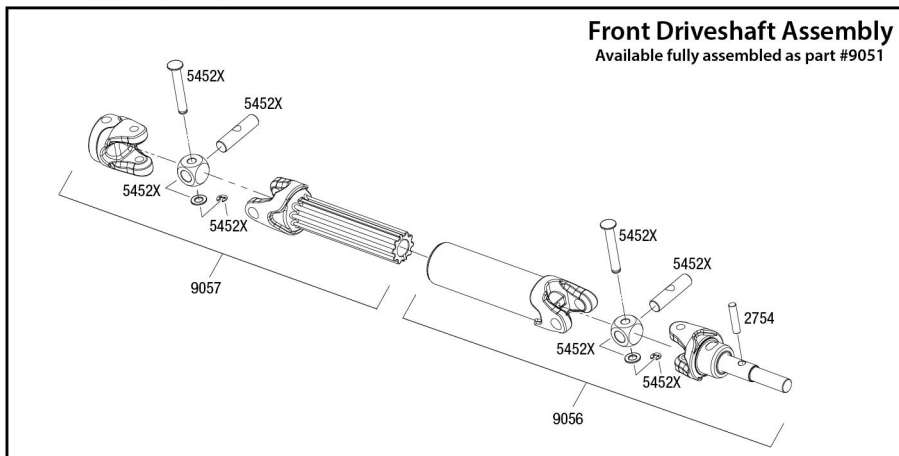
REV 250602-R00
See Parts List for a complete listing of optional accessories.

Specifications on this page are subject to change without notice. Every attempt has been made to ensure the accuracy of this drawing, however Traxxas cannot be held responsible for typographical or other errors.

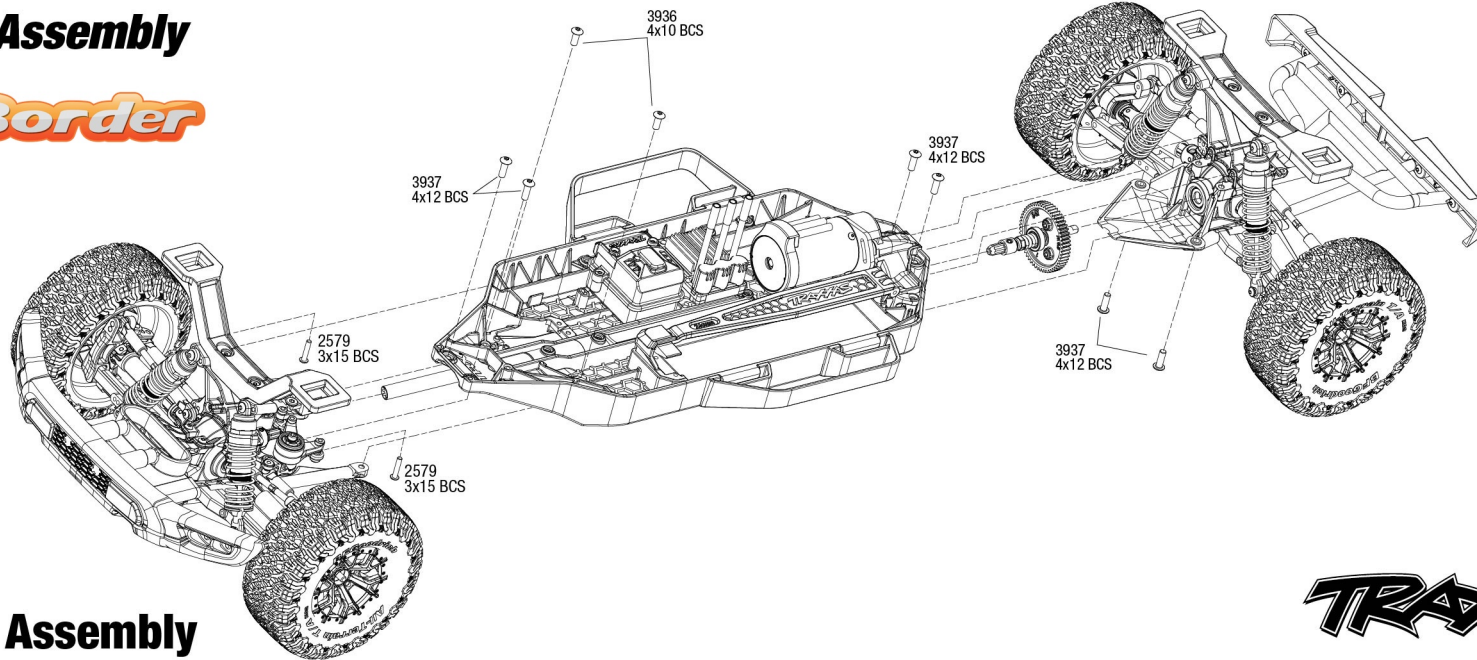
RAPTOR R 4x4

ULTIMATE EDITION

Driveshafts



Modular Assembly



Driveshafts Assembly

RAPTOR R™



REV 250602-R00

Specifications on this page are subject to change without notice. Every attempt has been made to ensure the accuracy of this drawing, however Traxxas cannot be held responsible for typographical or other errors. See Parts List for a complete listing of optional accessories.