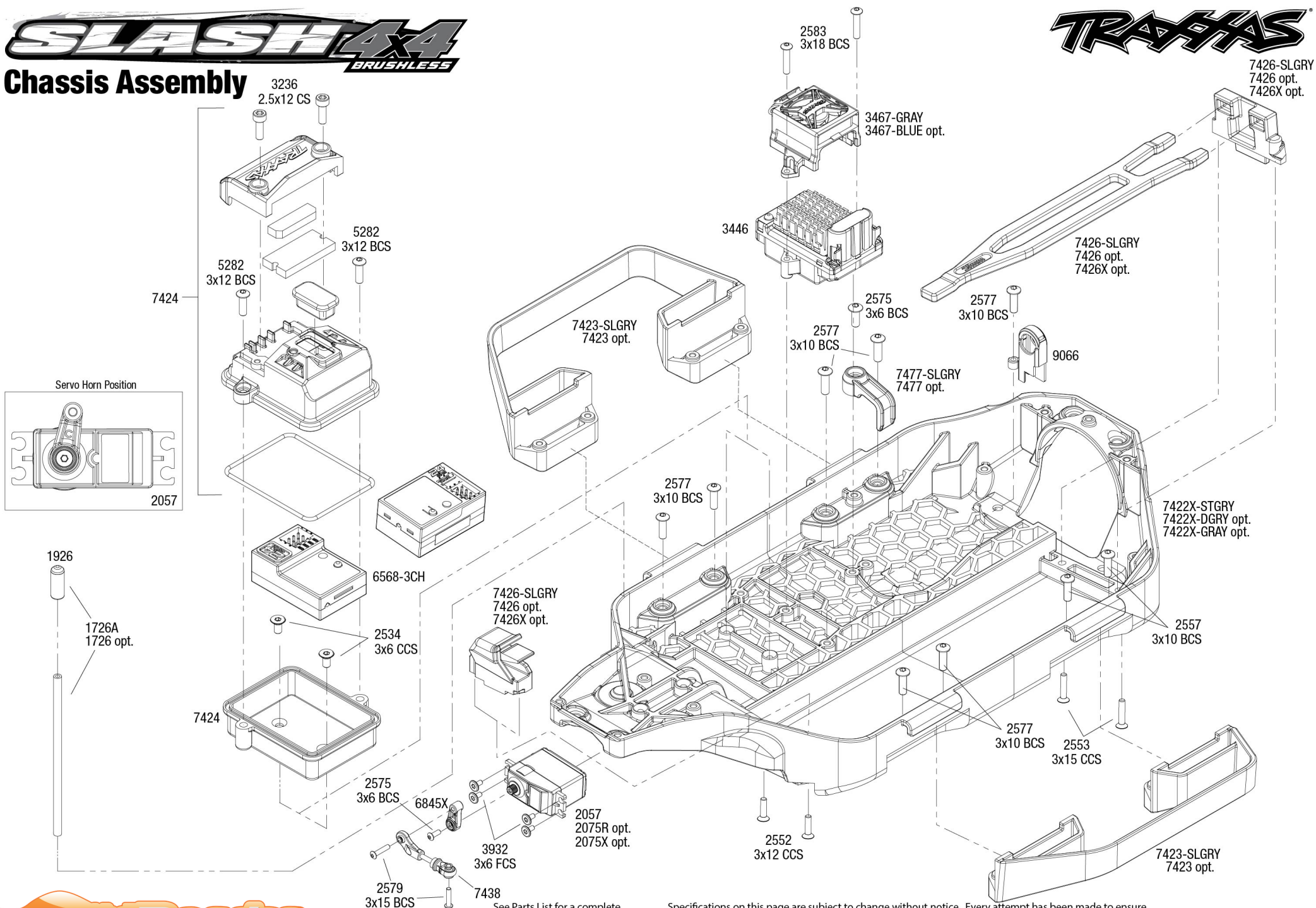


SLASH 4x4

BRUSHLESS

Chassis Assembly

TRAXXAS

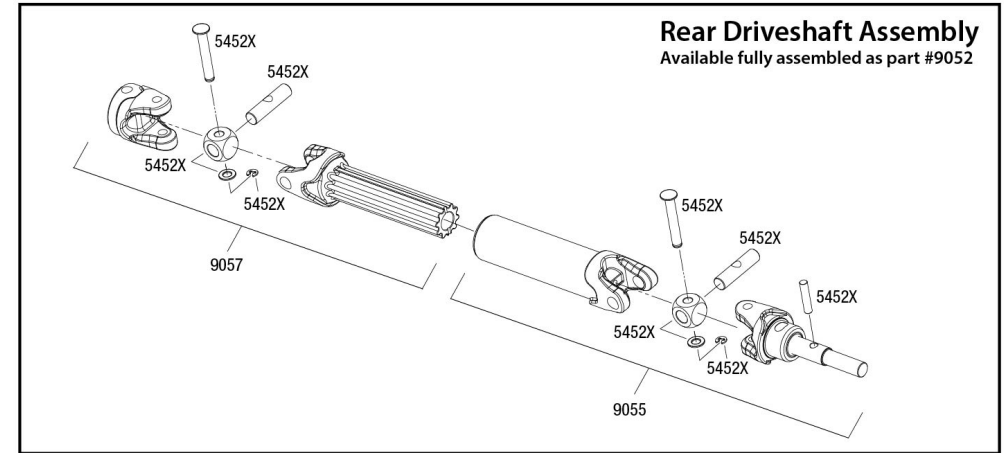
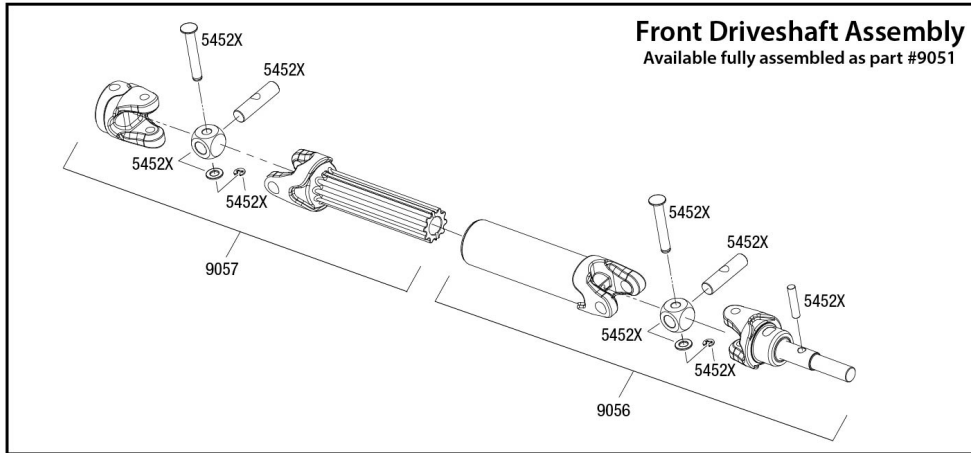


See Parts List for a complete listing of optional accessories.

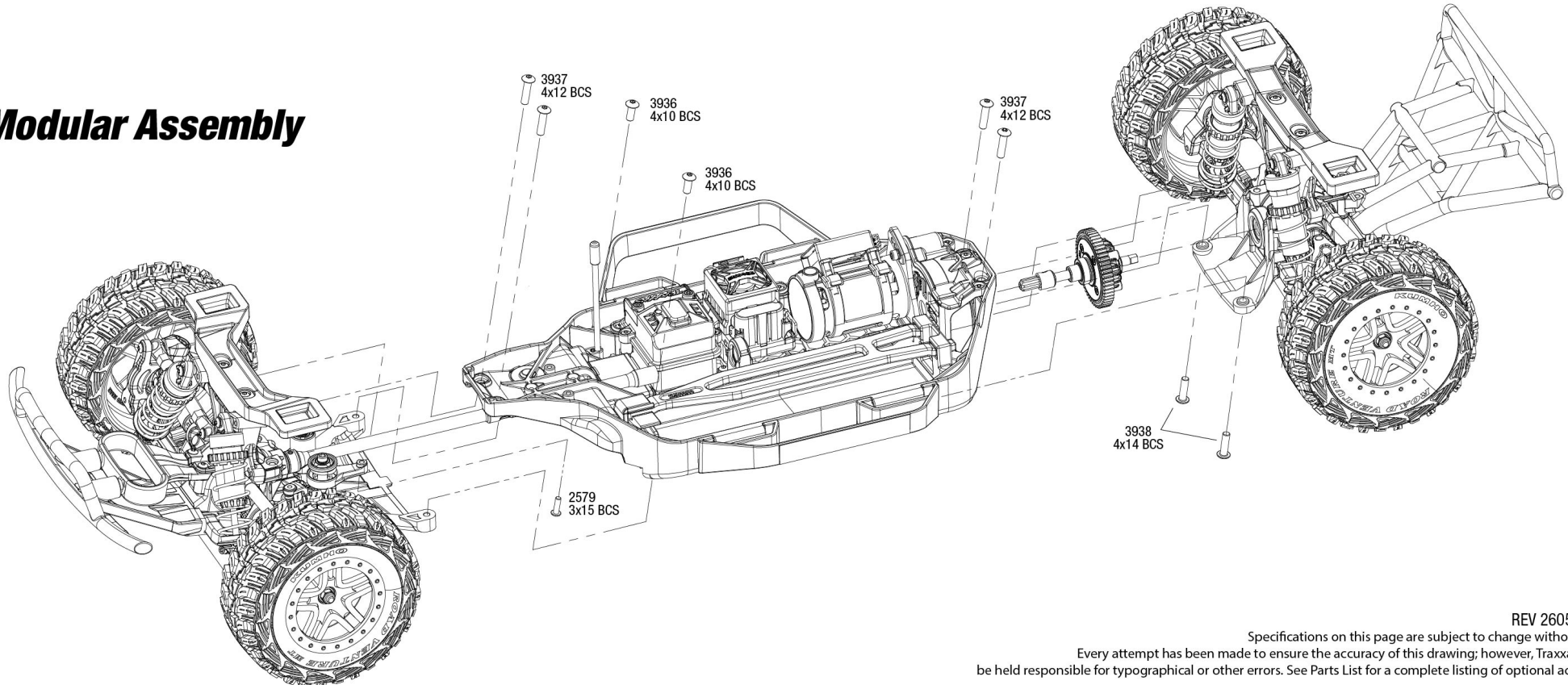
Specifications on this page are subject to change without notice. Every attempt has been made to ensure the accuracy of this drawing; however, Traxxas cannot be held responsible for typographical or other errors.



Driveshafts



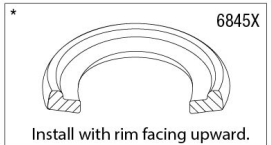
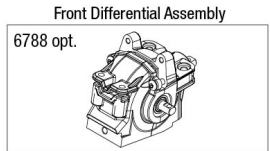
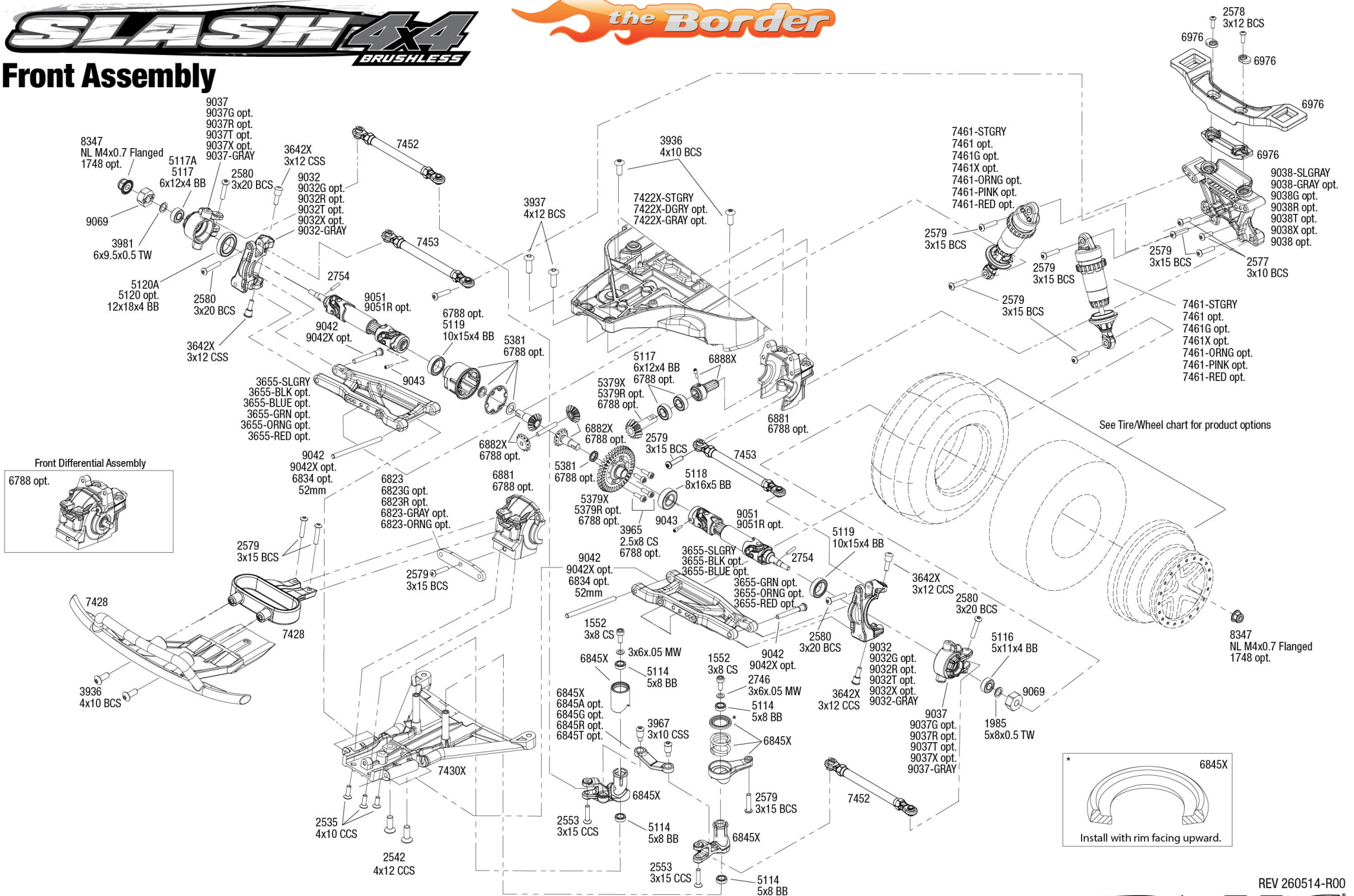
Modular Assembly



REV 260514-R00

Specifications on this page are subject to change without notice. Every attempt has been made to ensure the accuracy of this drawing; however, Traxxas cannot be held responsible for typographical or other errors. See Parts List for a complete listing of optional accessories.

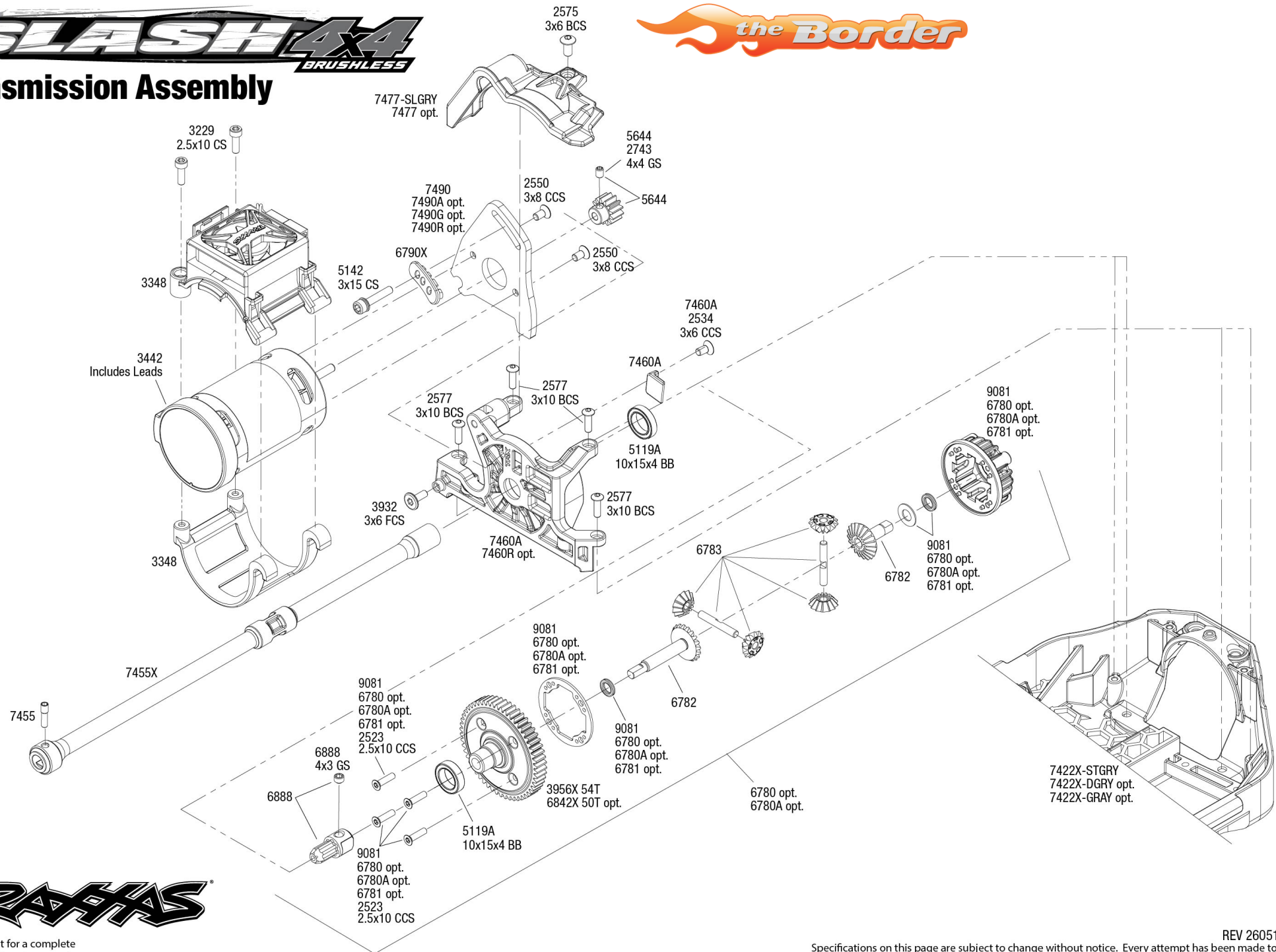
Front Assembly



See Parts List for a complete listing of optional accessories.

Specifications on this page are subject to change without notice. Every attempt has been made to ensure the accuracy of this drawing; however, Traxxas cannot be held responsible for typographical or other errors.

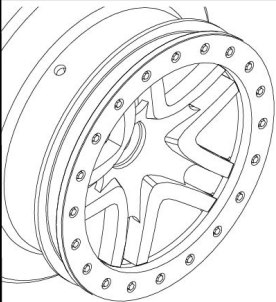
Transmission Assembly





Wheel and Tire Chart



		Traxxas SCT Tires with Foam Inserts		BFGoodrich® Mud Terrain™ T/A® Tires with Foam Inserts		Kumho Road Venture MT tires with Foam Inserts		
		5871	S1 Ultra-Soft Racing Compound 5871R	6871	S1 Ultra-Soft Racing Compound 6871R	6870	S1 Ultra-Soft Racing Compound 6870R	
Wheels*		Assembled Wheels and Tires		Assembled Wheels and Tires		Assembled Wheels and Tires		
 <p>Traxxas SCT Wheels</p>	Satin Beadlock/ Satin Wheel - Slash Rear or Slash 4X4 Front/Rear	5872	5873†	-	-	5880X	-	
	Satin Beadlock/ Satin Wheel - Slash Front	5874	5875	-	-	5881X	-	
	Red Beadlock/ Satin Wheel - Slash Rear or Slash 4X4 Front/Rear	-	5873A	5873R	-	-	-	
	Red Beadlock/ Satin Wheel - Slash Front	5874A	-	-	-	-	-	
	Black Beadlock/ Satin Wheel - Slash Rear or Slash 4X4 Front/Rear	5872X	5873X	-	5878	-	5880	
	Black Beadlock/ Satin Wheel - Slash Front	5874X	5875X	-	-	-	5881	
	Red Beadlock/ Chrome Wheel - Slash Rear or Slash 4X4 Front/Rear	5868	5887†	5887R	5867	-	-	
	Red Beadlock/ Chrome Wheel - Slash Front	-	5888	-	5869	-	-	
	Blue Beadlock/ Chrome Wheel - Slash Rear or Slash 4X4 Front/Rear	5868A	-	-	5867A	-	-	
	Blue Beadlock/ Chrome Wheel - Slash Front	5870A	-	-	5869A	-	-	
	Green Beadlock/ Chrome Wheel - Slash Front	5866	-	-	5865	-	-	
	Green Beadlock/ Chrome Wheel - Slash Rear or Slash 4X4 Front/Rear	6875	-	-	6876	-	-	
	Orange Beadlock/ Black Wheel - Slash Front	5870X	5864	-	-	-	-	
	Orange Beadlock/ Black Wheel - Slash Rear or Slash 4X4 Front/Rear	5868X	5863†	5863R†	-	-	-	
Black Beadlock/ Black Wheel - Slash Front	-	-	-	5879-BLK	-	-		
Black Beadlock/ Black Wheel - Slash Rear or Slash 4X4 Front/Rear	-	-	-	5878-BLK	-	-		
 <p>Split Spoke Wheels</p>	Black Beadlock/ Satin Wheel - Slash Rear or Slash 4X4 Front/Rear	6872	6892†	6892R	6873†	6873X	6874	6874R
	Black Beadlock/ Satin Wheel - Slash Front	5876	-	-	5877	-	5882	5882R
	Black Chrome Beadlock/ Black Wheel - Slash Rear or Slash 4X4 Front/Rear	-	-	-	-	6873T†	-	-
	Red Beadlock/ Chrome Wheel - Slash Rear or Slash 4X4 Front/Rear	6872A	6891†	6891R†	6873A	6873R	-	-
	Red Beadlock/ Chrome Wheel - Slash Front	-	-	-	5877A	5877R	-	-
	Green Beadlock/ Chrome Wheel - Slash Rear or Slash 4X4 Front/Rear Front	6872X	-	-	-	-	-	-
	Satin Beadlock/ Black Wheel - Slash Front	5886	5890	-	5885	-	-	-
	Satin Beadlock/ Black Wheel - Slash Rear or Slash 4X4 Front/Rear	5884	5889†	5889R	5883	-	-	-
	Blue Beadlock/ Black Wheel - Slash Front	5886A	-	-	5885A	-	-	-
	Blue Beadlock/ Black Wheel - Slash Rear or Slash 4X4 Front/Rear	5884A	-	-	5883A	-	-	-
	Gray Beadlock/ Gray Wheel - Slash Rear or Slash 4X4 Front/Rear	-	6964†	-	-	-	-	-
	Orange Beadlock/ Orange Wheel - Slash Rear or Slash 4X4 Front/Rear	-	5892†	-	-	-	-	-
	Green Beadlock/ Green Wheel - Slash Rear or Slash 4X4 Front/Rear	-	5892G†	-	-	-	-	-
	Black Beadlock/ Black Wheel - Slash Front				5885-BLK			
Black Beadlock/ Black Wheel - Slash Rear or Slash 4X4 Front/Rear				5883-BLK				

Specifications on this page are subject to change without notice. Every attempt has been made to ensure the accuracy of this drawing; however, Traxxas cannot be held responsible for typographical or other errors. See Parts List for a complete listing of optional accessories.

BFGoodrich and all associated names are trademarks used with permission. Distributed under license by Traxxas LP. Copyright © 2026 MNA, Inc. All rights reserved.

* Wheels and/or tires sold in pairs †TSM rated